

SECURE TEMP[®] S-2100

Factory-built 650°C
Chimney 6", 7", & 8" dia.

CONTENTS

WARNING.....	2
KEEP YOUR CHIMNEY CLEAN, SIZING CHART.....	3
GENERAL INSTALLATION NOTES.....	4-5
INTERIOR STRAIGHT INSTALLATION - SINGLE FLOOR.....	6-7
INTERIOR STRAIGHT INSTALLATION - MULTIPLE FLOOR.....	8-9
INTERIOR INSTALLATION WITH CATHEDRAL CEILING.....	10-13
REDUCED CLEARANCE SUPPORT.....	12-13
OFFSET INSTALLATION.....	14-16
EXTERIOR INSTALLATION.....	17-19
SPECIALIZED COMPONENTS.....	20-21
WARRANTY.....	23

INSTALLATION

AND

OPERATION

INSTRUCTIONS

WARNING

A MAJOR CAUSE OF CHIMNEY-RELATED FIRES IS FAILURE TO MAINTAIN REQUIRED CLEARANCES (AIR SPACES) TO COMBUSTIBLE MATERIALS. IT IS OF UTMOST IMPORTANCE THAT THIS CHIMNEY BE INSTALLED ONLY IN ACCORDANCE WITH THESE INSTRUCTIONS.

Read these instructions and keep them for future reference

Listed: Warnock Hersey 9651

Standard: ULC S629-M87



Intertek



2125 Monterey, Laval, Quebec
Canada, H7L 3T6
800-667-3387



PIS2100 LS303 REV. 15 01/2018

RECOMMENDATIONS

Clearance

The clearances stated in this guide are minimum requirements: if more space is available, use it. Minimum clearances mean leaving unobstructed air space. Do not fill these spaces with any material whatsoever, especially not insulating material.

Inspection

Contact local building or fire officials about restrictions, installation inspections and permits that may be required in your area.

Replacement Parts

If a component of your chimney system is damaged it must be replaced by an identical one from Security Chimneys.

WARNING

CREOSOTE FORMATION AND NEED FOR REMOVAL

When wood is burned slowly, it produces tar and other organic vapors, which when combined with expelled moisture form creosote. The creosote vapors condense in the relatively cool chimney flue of a slow-burning fire. As a result, creosote residue accumulates on the flue lining. When ignited this creosote makes an extremely hot fire. ...A creosote deposit just 1/8" (3 mm) thick is enough to cause a chimney fire.

COAL

Some coals contain large quantities of sulphur (up to 7%). When coal is burned, sulphur and coal ashes are deposited in the chimney flue. This deposit combines with moisture to form a highly corrosive acid (sulphuric acid). In order to protect your chimney, we recommend that you:

1. Burn only low sulphur coals (less than 1% sulphur).
2. Have your chimney cleaned within 48 hours of shutting down your stove at the end of the heating season. Be certain that all the soot is removed. Wipe the chimney flue using a strong solution of baking soda and water. This can be done by wrapping a rag around a chimney cleaning brush, dipping it into the baking soda-water solution then passing it through the chimney three or four times.

WOOD AND COAL STOVES

If you are planning to install a wood stove, we recommend that you:

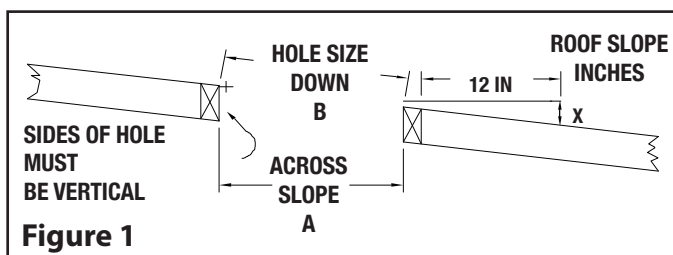
1. Choose a stove that bears the label of a testing laboratory (such as ULC, CSA, WH, UL, or ICBO).
2. Choose the right size stove. Do not buy one larger than you need.
3. Connect only one appliance to a chimney.
4. Never overfire your stove. If any part of the stove or stove pipe is glowing red, then you are overfiring. Immediately close the stove's dampers until the system cools. The high temperature caused by overfiring can permanently damage the stove and stove pipe and may overheat nearby combustible walls and furniture.
5. Install the stove and stove pipe as described in the installation instructions accompanying the stove. Be certain to maintain the required clearances to combustible construction.
6. Keep your flue gases between 300°F and 500°F. This will maximize efficiency while minimizing condensation and creosote formation. Do not fill your stove with wood and allow it to smoulder for 8 to 10 hours. This condition produces large amounts of creosote in the chimney.
7. Do not burn sea driftwood or treated wood. These combustibles are highly corrosive to all types of stainless steel.

KEEP YOUR CHIMNEY CLEAN

CHIMNEY OPERATION AND MAINTENANCE

Wood stoves can quickly create large deposits of creosote in the chimney. Some wood stoves can create enough creosote in two weeks to cause a chimney fire. When using a wood stove, we recommend that you:

1. Initially, inspect the chimney system weekly. You will learn how often it will be necessary to clean your chimney.
2. The chimney should be inspected at least once every 2 months during the heating season to determine if a creosote or soot build-up has occurred. If creosote or soot has accumulated, it should be removed to reduce the risk of chimney fire.
3. Have your chimney cleaned by a qualified chimney sweep. If you want to clean your chimney yourself: clean your chimney using plastic, wood, or stainless steel brushes. Do not use a brush that will scratch the stainless steel interior of your chimney.
4. Do not expect chemical chimney cleaners to keep your chimney clean. Their use does not negate the necessity of periodically inspecting and cleaning your chimney.



SIZING CHART

CHIMNEY-SIZE	6"	7"	8"
OUTSIDE-DIAMETER	10"	11"	12"
FRAMING-DIMENSION-REQUIRED			
Reduced Clearance Support (XRCS)	12 1/8"	13 1/8"	14 1/8"
Cathedral Support (XSCC)	14-3/8"	14-3/8"	14-3/8"
Square Support (XSSC)	14-3/8"	14-3/8"	14-3/8"
Finish Support (XSCC)	14-3/8"	14-3/8"	14-3/8"
Firestop (XBF)	14"	15"	16"
Wall Thimble (XRSM)	14"	15"	16"
MAX. LENGTH HEIGHT SUPPORTED **			
Wall Support (XSM), (XSMA), & (XSME)	30'	28'	26'
Roof Support (XST)	20'	18'	16'
Cathedral Support (XSCC)	30'	28'	26'
Square Support (XSSC)	30'	28'	26'
Finish Support (XSFC)	30'	28'	26'
Offset/Wall Support (XS0) (XS0-1)	24'	22'	20'
Insulated Tee (XTI) *	30'	28'	26'
Reduced Clearance Support (XRCS)	30'	28'	26'

Table 1

* When installed on a concrete footing.

** NOTE: If greater height is required, use additional roof supports at intervals not exceeding 30'

ROOF OPENING CHART

CHIMNEY SIZE	6"		7"		8"	
ROOF SLOPE (X/12)	ROOF HOLE SIZE					
	A	B	A	B	A	B
0	14	14	15	15	16	16
2/12	14	14 1/4	15	15 1/4	16	16 1/4
4/12	14	14 7/8	15	15 7/8	16	16 7/8
6/12	14	15 3/4	15	16 3/4	16	17 7/8
8/12	14	16 7/8	15	18 1/8	16	19 1/4
10/12	14	18 1/4	15	19 9/16	16	20 7/8
12/12	14	19 7/8	15	21 1/4	16	22 5/8

Table 2 - Refer to Figure 1

NOTE: DIAGRAMS & ILLUSTRATIONS ARE NOT TO SCALE.

1

GENERAL INSTALLATION NOTES

INSTALLATION NOTES

1. The chimney is intended for use with solid, liquid, and gaseous fuel burning appliances.
Allowable flue gas temperature:
Maximum continuous 650°C (1200° F)
Brief forced firing 760°C (1400°F)
Tested to 1150°C (2100°F) - 30 minutes
2. The maximum height of chimney supported by the various security supports are outlined on page 3.
3. The supports described in this booklet should only be used with Security Chimneys' model S-2100, 6", 7", and 8" factory built chimneys.
4. Size the chimney in accordance with the appliance manufacturer's instructions.
5. When a firestop (XBF or XRSA2) is installed, it is important to follow the framing dimensions for the floor openings prescribed in this manual.
6. A chimney servicing a fireplace or an incinerator shall not serve any other appliance.
7. The chimney shall extend at least 3 ft above its point of contact with the roof and at least 2 ft higher than any wall, roof or adjacent building within 10 ft of it.
8. The maximum height of an unguided chimney above the roof is 5 ft. If the chimney extends more than 5 ft. above the roof, a Universal Roof Brace (XBS2) must be used.
9. The clearance between single wall pipe and unprotected combustible material must not be less than 18" (see National Building Code and NFPA 211) except: The distance between the vertical stove pipe and the ceiling may be less than 18" and will be established by the finish support.
10. Portions of the chimney which may extend through accessible spaces shall be enclosed in all cases to avoid personal contact with the chimney and damage to the chimney. Except for installation in single and two-story family dwellings, the enclosure must have a fire resistance rating equal to or greater than that of the floor or roof assemblies through which they pass.
11. Do not fill the 2" space around the chimney with insulation or any other material. Insulation placed in this area could cause adjacent combustibles to overheat.
12. Self tapping screws are not required, but may

be used to reinforce the connection and avoid accidental unlocking of chimney lengths. Use only 1/2" self-tapping screws. Do not penetrate the inner wall of the chimney.

13. **If needed, when penetrating the building envelope the gap between the outer layer of chimney and any firestop or wall thimble can be sealed using high temperature rated (600°F) silicone caulking.**

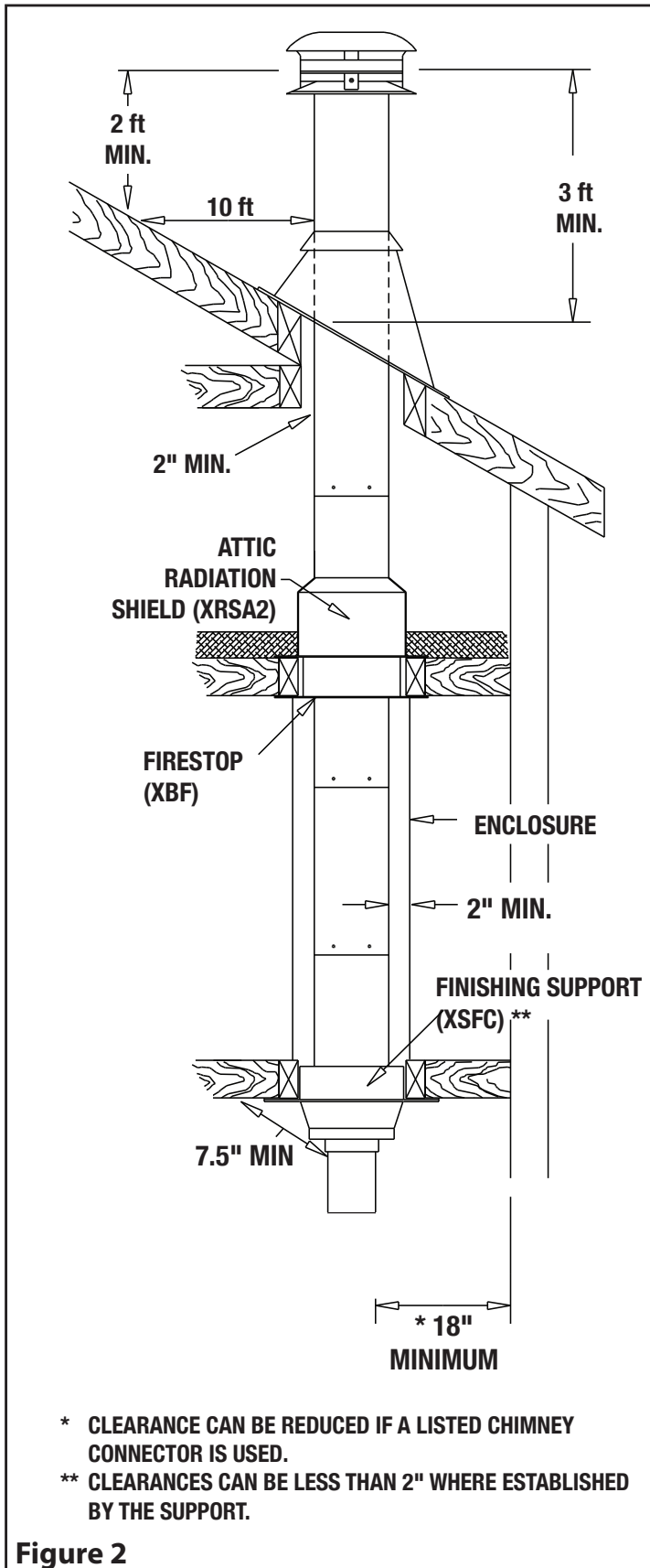


WARNING

The clearance between the chimney and combustible material must not be less than 2", except where established by the support. Do not fill this area with insulation.

1

GENERAL INSTALLATION NOTES (CONT'D)



NOTE: DIAGRAMS & ILLUSTRATIONS ARE NOT TO SCALE.

2

INTERIOR STRAIGHT INSTALLATION - SINGLE FLOOR

NOTE: If using the Reduced Clearance Support (XRCS) at the attic level, the use of the attic radiation shield is not required. The Reduced Clearance Support acts as an attic radiation shield when installed with insulation and a collar (provided) (see Figure 4).

NOTE: If needed, a Support Extension (XSE) is available. See page 10

Step 1: Locate the chimney in a convenient place as near as possible to the appliance outlet.

Step 2: Cut and frame the openings in the ceiling and roof where the chimney will pass.

NOTE: It is important to follow the framing dimensions for the floor openings prescribed in this manual.

	FRAMING DIMENSION	
CHIMNEY SIZE	Reduce Clearance Support	ROOF OPENING
6"	12-1/8" x 12-1/8"	14" x 14"
7"	13-1/8" x 13-1/8"	15" x 15"
8"	14-1/8" x 14-1/8"	16" x 16"

Table 3

Step 3: From below push the square support into the framed opening making sure the square support extends a minimum of 3 1/2" below the finished ceiling. Screw finish trim (included) to the ceiling. Attach the support to the framed box using (12) - 3" spiral nails or #8 x 1 1/2" wood screws (see Figure 3).

Step 4: Wrap the insulation pad around the bottom of the first chimney length.

Step 5: Put this first chimney length in the support. Turn in clockwise to lock it in place.

NOTE: Make sure arrow on pipe label is pointing upward.

Step 6: Place the collar around the chimney on top of the square support. Make sure it completely covers the top of the square support.

Step 7: Stack the next chimney length on the first length. Be sure that the male and female threads are not in line when putting the lengths together. Turn the chimney clockwise to lock it in place. Continue until the required chimney height is reached. You may add a self tapping screw to prevent accidental unlocking.

Step 8: **ROOF FLASHING INSTALLATION**

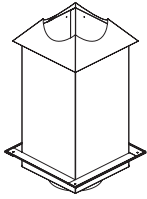
Put the roof flashing in place. Seal the joint between the roof and the flashing with roofing compound. For sloping roofs, place the flashing under the upper shingles and on top of the lower shingles. Nail the flashing to the roof. Place the storm collar around the chimney and slide down on top of the flashing. Tighten it with the bolt supplied and make sure the joint is properly caulked (see Figure 5).

Step 9: Attach the rain cap to the top of the chimney.

2

INTERIOR STRAIGHT INSTALLATION - SINGLE FLOOR (CONT'D)

Reduced Clearance Support (XRCS)



NAILS OR SCREWS

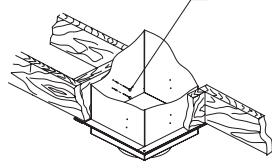


Figure 3

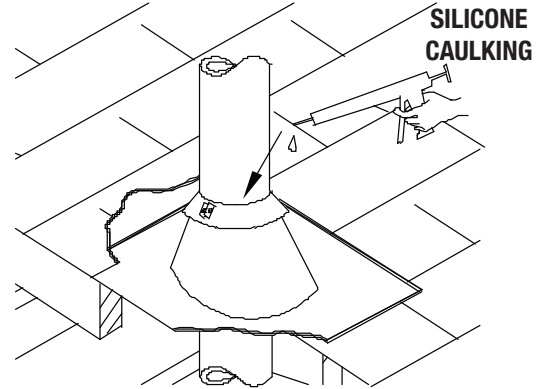


Figure 5

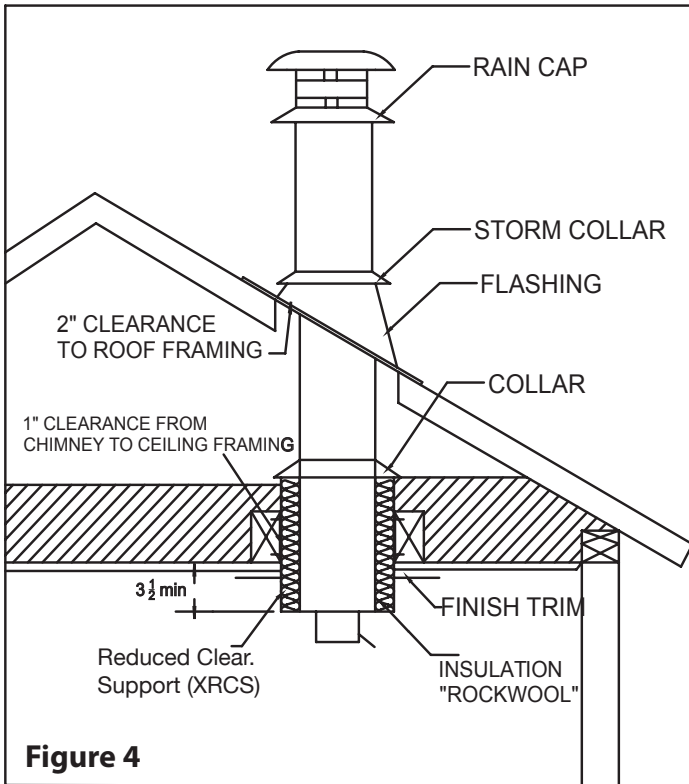


Figure 4

3

INTERIOR STRAIGHT INSTALLATION - MULTIPLE FLOOR

Step 1. Locate the chimney in a convenient place as near as possible to the appliance outlet.

Step 2. Cut and frame the openings in the floor, ceiling and roof where the chimney will pass.

Note: It is important to follow the framing dimensions for the floor openings prescribed in this manual.

	FRAMING DIMENSION	
CHIMNEY SIZE	FINISH SUPPORT (XSCC)	RADIATION SHIELD* & ROOF
6"	14-3/8" x 14-3/8"	14" x 14"
7"	14-3/8" x 14-3/8"	15" x 15"
8"	14-3/8" x 14-3/8"	16" x 16"

Table 4 * For sloping roofs see size Table 2 on page 3

Step 3: From below push the square support into the framed opening. Screw finish trim (included) to the ceiling. Attach the support to the framed box using (12) - 3" spiral nails or #8 x 1 1/2" wood screws (see Figure 6).

Step 4. Put the first chimney length in the support. Turn it clockwise to lock it in place (see Figure 7).

NOTE: Make sure arrow on pipe label is pointing upward.

Step 5. Install a Firestop Plate (XBF) in each floor through which the chimney passes.

Step 6. Stack the next chimney length on the first length. Be sure that the male and female threads are not in line when putting the lengths together. Turn the chimney clockwise to lock it in place. You may add a 1/2" stainless steel self tapping screw to prevent accidental unlocking. Continue until the required chimney height is reached.

Step 7. At the attic level, install a Firestop Plate (XBF), from below and an Attic Radiation Shield (XRSA2) and Storm Collar from above (see Figure 8).

Step 8. ROOF FLASHING INSTALLATION

Put the roof flashing in place. Seal the joint between the roof and the flashing with roofing compound. For sloping roofs, place the flashing under the upper shingles and on top of the lower shingles. Nail the flashing to the roof using roofing nails. Place the storm collar over the chimney and the flashing. Tighten it with the bolt supplied making sure the joint is properly caulked (see Figure 9).

Step 9. Attach the rain cap to the top of the chimney.

3

INTERIOR STRAIGHT INSTALLATION - MULTIPLE FLOOR (CONT'D)

FINISH SUPPORT (XSFC)

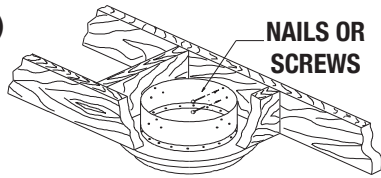
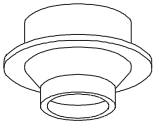


Figure 6

1. BLACK STOVE PIPE
2. FINISHING SUPPORT
3. INSULATED LENGTH
4. FIRESTOP
5. ATTIC RADIATION SHIELD
6. ADJUSTABLE ROOF FLASHING
7. DELUXE RAIN CAP

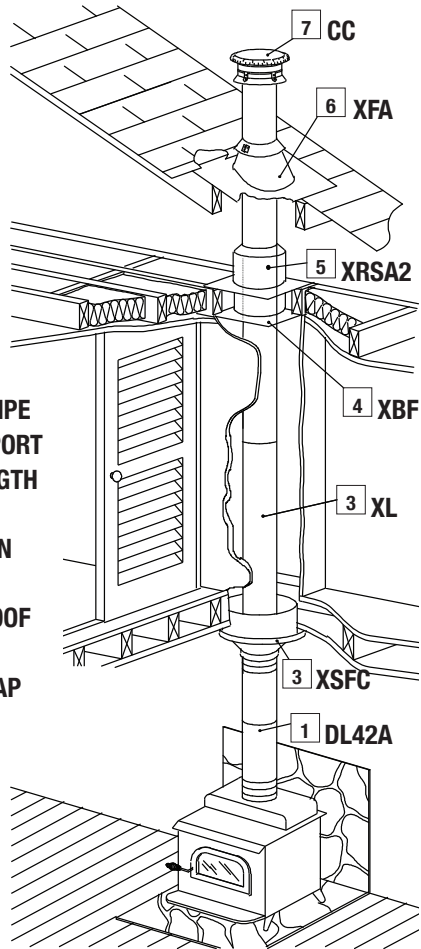


Figure 7

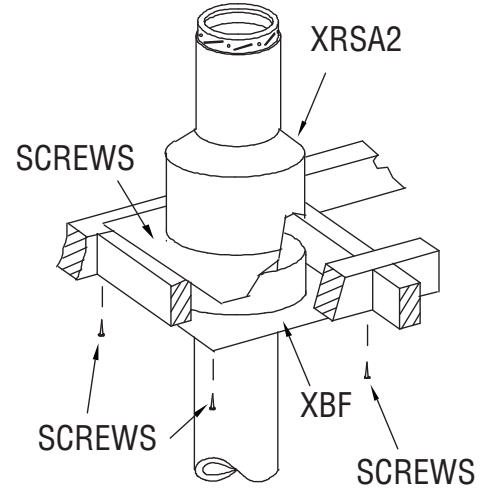


Figure 8

SILICONE CAULKING

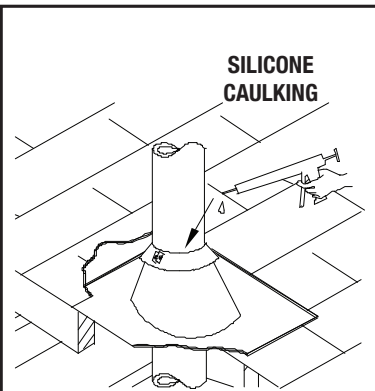


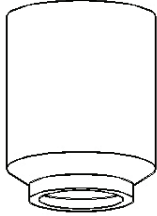
Figure 9

4

INTERIOR INSTALLATION WITH CATHEDRAL CEILING

A - CATHEDRAL SUPPORT (XSCC)

This support is designed to be used in rooms with cathedral ceilings (no attic space between the ceiling and the roof). If the support is used as a regular floor support, follow the instructions for the Finish Support (XSFC) on page 8.



Step 1. Situate the chimney in a convenient location as near as possible to the appliance outlet. Cut and frame an opening in the roof for the support. The sides of this hole must be vertical. **See Figure 10** (see Table 2 on page 3).

Step 2. From above, place the support in the opening. Lower it to a convenient height. Refer to Table 6, on page 13, for clearance from finished ceiling.

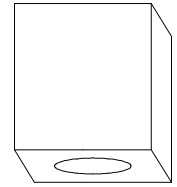
NOTE: The cone portion of the support must extend below the ceiling. The minimum horizontal distance between the single wall stove pipe and the nearest wall is 18". **See Figure 11**

Using a level, make sure the support is vertical. If the support extends above the roof, cut it flush with the top of the roof. Nail the support to the framed opening using (12) 3" spiral nails or screws. **See Figure 12**

**TO CONTINUE INSTALLATION
SEE PREVIOUS STEP 8 ON PAGE 6**

B - SQUARE SUPPORT (XSSC)

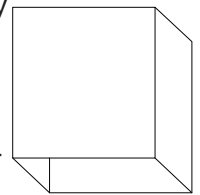
This support is similar in application and installation as the Cathedral Support (XSCC). Install it using the instructions previously mentioned (refer to Figure 12 for visual references).



XSS

SUPPORT EXTENSION (PS24) (For Square Support only)

Steep pitched cathedral ceilings may require the use of a Square Support Extension (PS24). This piece fits down inside the square support and can be adjusted to increase the support's length by up to 16".

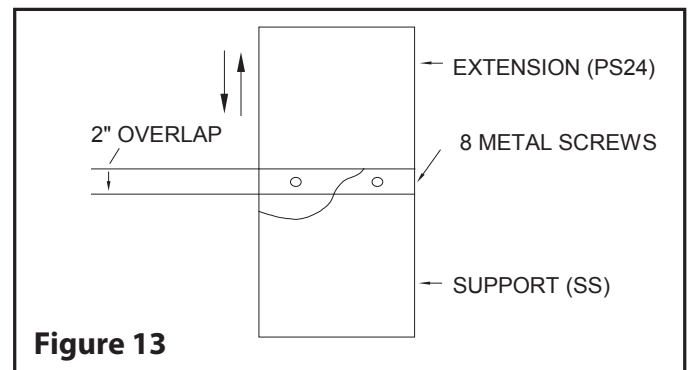
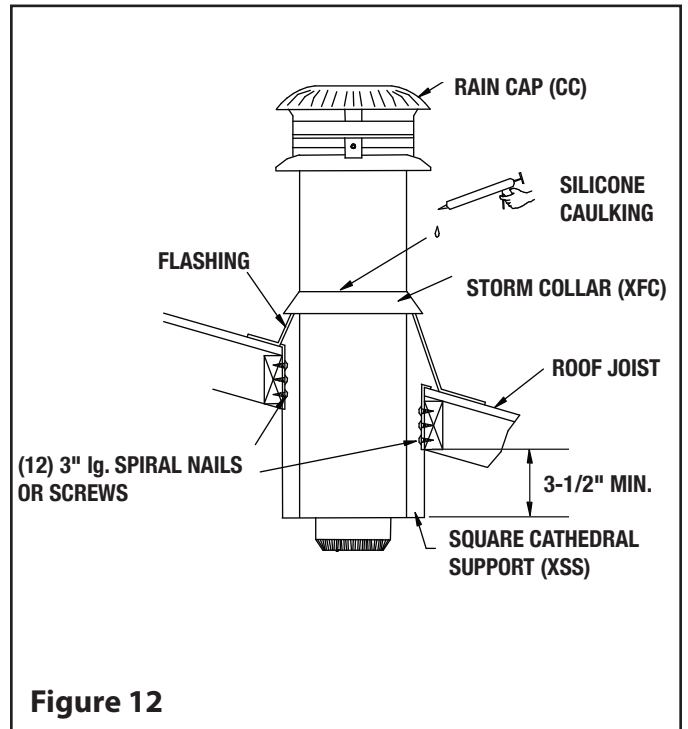
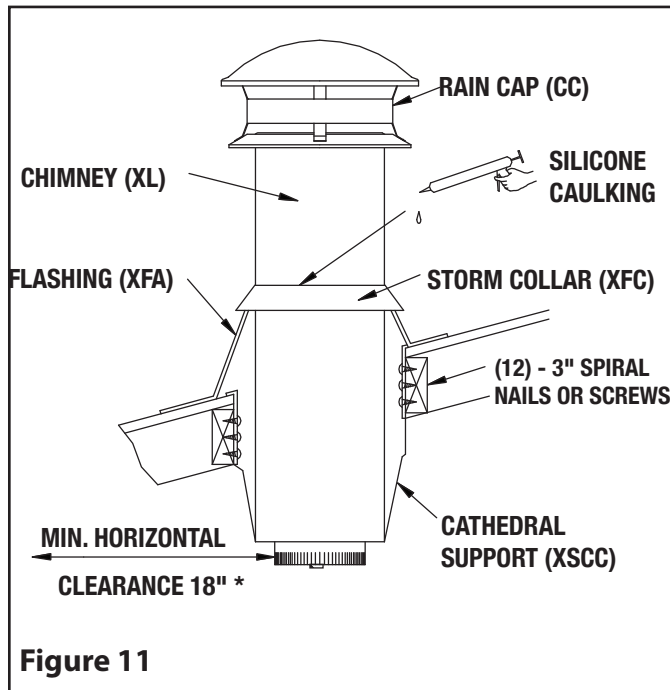
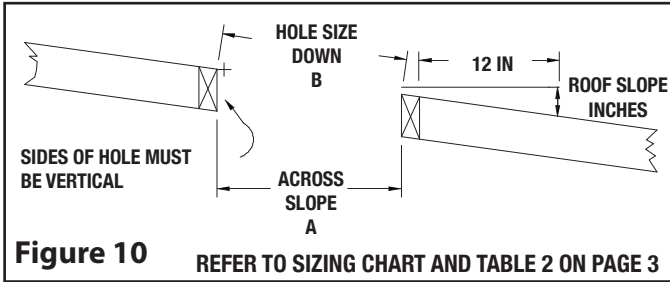


PS

The extension is attached to the support using the eight metal screws provided. Be sure there is at least a 2" overlap where the extension joins the support. **See Figure 13**

4

INTERIOR INSTALLATION WITH CATHEDRAL CEILING (CONT'D)



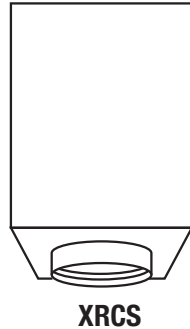
4

INTERIOR INSTALLATION WITH CATHEDRAL CEILING (CONT'D)

C - REDUCED CLEARANCE SUPPORT

NOTE: The Reduced Clearance Support comes with a collar. It can be discarded for this application.

Step 1: Locate the chimney in a convenient location as near as possible to the appliance outlet. Cut and frame an opening in the roof for the support. The sides of this hole must be vertical.



See Figure 14

Step 2: From below, push the Reduced Clearance Support into the framed opening in the ceiling.

NOTE: The bottom portion of the support must extend below the ceiling. See Table 6.

Step 3: Using a level, make sure the support is vertical. If the support extends above the roof, cut it flush with the top of the roof. Nail the support to the framed opening using (12)-3" spiral nails or #8 x 1 1/2" wood screws.

See Figure 14

Step 4: Place first chimney length into the support. Twist to lock into place. Wrap the insulation pad around the chimney, then slide it down within the support box. Make sure the insulation makes contact with the bottom of the support. Any excess insulation can be removed.

In steeper cathedral applications where an extra box length is required, additional insulation may be added to the support, and if required, to the (XSE) box extension. Approved insulation must be listed / compliant with ASTM E136/ULC S114 as Non-Combustible, have a melting temperature above 2000°F/1100°C, and be water resistant with

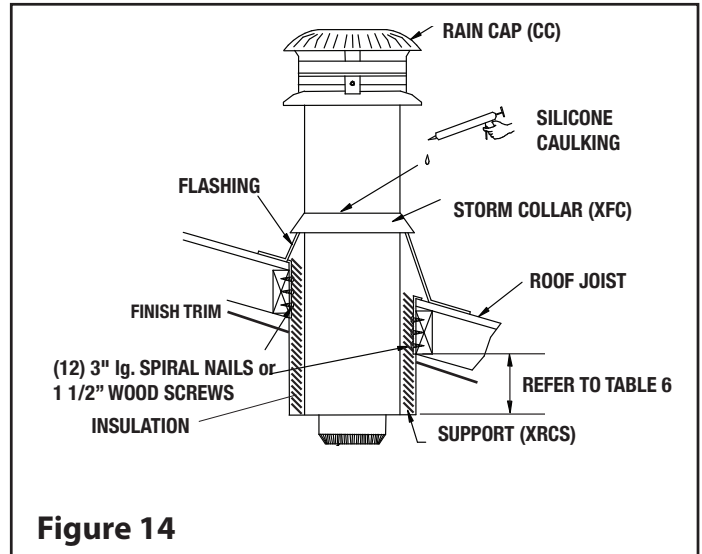


Figure 14

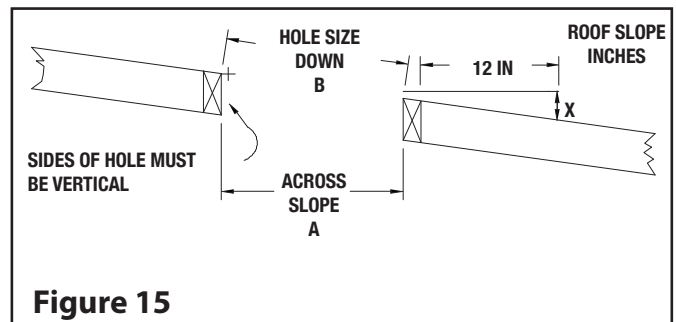


Figure 15

low moisture absorption. Materials such as rockwool or mineral wool qualify.

IMPORTANT: Approval to include additional insulation around the chimney applies only within the (XRCS) and (XSE) support extension. DO NOT attempt to field-insulate around the pipe at any other location or within any other uninsulated component offered by Security Chimney."

**TO CONTINUE INSTALLATION
REFER TO FLASHING INSTALLATION ON PAGE 6.**

4

INTERIOR INSTALLATION WITH CATHEDRAL CEILING (CONT'D)

Chimney Size	6"		7"		8"	
	Hole Size (Reduce Clearance Support)					
Roof Slope	A	B	A	B	A	B
x/12						
0	12-1/8	12-1/8	13-1/8	13-1/8	14-1/8	14-1/8
2/12	12-1/8	12-1/4	13-1/8	13-1/4	14-1/8	14-3/8
4/12	12-1/8	12-3/4	13-1/8	13-7/8	14-1/8	14-7/8
6/12	12-1/8	13-1/2	13-1/8	14-5/8	14-1/8	15-7/8
8/12	12-1/8	14-1/2	13-1/8	15-3/4	14-1/8	16-7/8
10/12	12-1/8	15-7/8	13-1/8	17-1/8	14-1/8	18-1/2
12/12	12-1/8	17-1/8	13-1/8	18-1/2	14-1/8	20

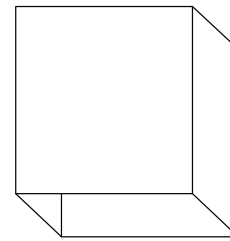
Table 5

NOTE: ALL DIMENSIONS ARE IN INCHES.

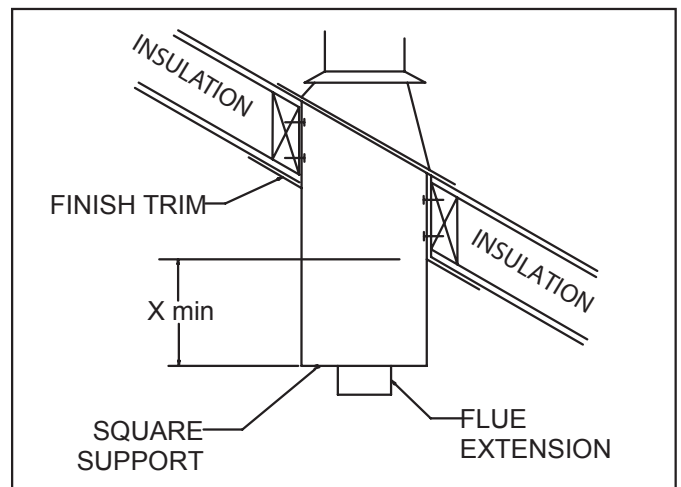
Reduce Clearance Support Extension (XSE)

Steep pitched cathedral ceilings may require the use of a Support Extension (XSE). This piece fits down inside the Reduced Clearance Support and can be adjusted to increase the support's length by up to 22".

The extension is attached to the support using the eight metal screws provided. Be sure there is at least a **2" overlap** where the extension joins the support.



XSE



Slope	X
0/12 - 2/12	3 1/2"
2/12 - 7/12	5 1/2"
7/12 - 12/12	6 3/4"
12/12 - 24/12	7 1/2"
24/12	12 1/2"

Table 6

5

OFFSET INSTALLATION

OFFSET CHIMNEY

If it is necessary to offset the chimney in order for it to pass through an obstruction, do this by using 15°, 30°, or 45° insulated elbows. A maximum of two offsets (4 elbows in all) is allowed in a chimney.

The maximum length of unsupported offset chimney is 6'. If the offset chimney is longer than 6', then it must be supported at 6' intervals using an Offset Support (XSO) or Wall Band (XBM).

INSTALLATION INSTRUCTIONS

Install the required support and the chimney as described in the support's installation instructions. When you reach the height at which the elbow will be installed, proceed as follows:

Step 1. Install the insulated offset elbow on the vertical chimney length. Turn it in the required direction and fasten it to the chimney with the (4) 1/2" metal screws provided.

Step 2. Place the required offset chimney length (see Table 7 below) on the elbow. Turn it clockwise to lock it in place.

Step 3. Use another elbow to turn the chimney vertically. Again secure the elbow to the chimney length using the (4) 1/2" metal screws provided.

Step 4. Install the remaining chimney as described in the instructions for the Roof Support.

INSTALLATION CALCULATIONS

Determine the offset required in view of the obstacles that must be avoided (see Figure 16). Refer to Table 7 to determine the elbows required as well as the insulated length needed.

OFFSET & RISE CHART MODEL S-2100 (6", 7", & 8")

ANGLE	DIA.	INCHES	ONE LENGTH BETWEEN ELBOWS					
			8	12	18	24	36	48
15°	6" - 8"	Offset	3-5/16	4-5/16	5-7/8	7-7/16	10-1/2	13-5/8
		Rise	16	19-7/8	25-11/16	31-1/2	43-1/16	54-5/8
30°	6" - 8"	Offset	7-3/8	9-3/8	12-3/8	15-3/8	21-3/8	27-3/8
		Rise	20-11/16	24-3/16	29-3/8	34-9/16	44-15/16	55-5/16
45°	6" - 8"	Offset	10-11/16	13-1/2	17-3/4	22	30-7/16	38-15/16
		Rise	18-7/16	21-1/4	25-1/2	29-3/4	38-1/4	46-3/4

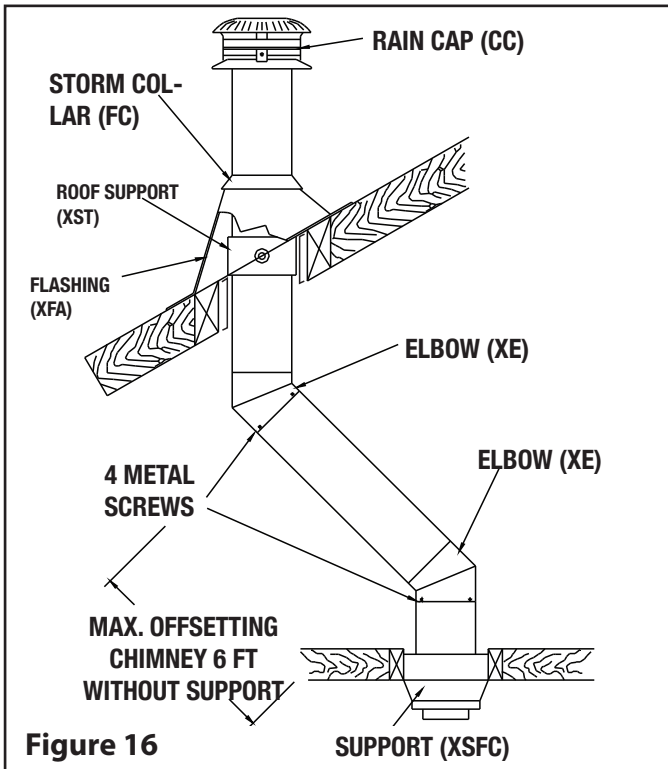
ANGLE	DIA.	INCHES	TWO LENGTHS BETWEEN ELBOWS					
			8 & 48	12 & 48	18 & 48	24 & 48	36 & 48	48 & 48
15°	6" - 8"	Offset	15-1/2	16-1/2	18-1/16	19-5/8	22-3/4	25-13/16
		Rise	61-7/16	65-1/4	71-1/16	76-7/8	88-1/2	100-1/16
30°	6" - 8"	Offset	30-7/8	32-7/8	35-7/8	38-7/8	44-7/8	50-7/8
		Rise	61-3/8	64-7/8	70-1/16	75-1/4	85-5/8	96
45°	6" - 8"	Offset	44-5/8	47-7/16	51-11/16	55-15/16	64-3/8	72-7/8
		Rise	52-3/8	55-1/4	59-7/16	63-11/16	72-3/16	80-11/16

Note: All dimensions are in inches.

Table 7

5

OFFSET INSTALLATION CONT'D



ROOF SUPPORT (XST)

The Roof Support has three possible uses:

- It may be used to support a chimney from the roof. It adjusts to any roof pitch.
- It may be used on a floor, ceiling or roof above an offset to support the chimney above the offset.
- It may be used on a floor, ceiling or roof as a supplementary support when the chimney height exceeds that of the primary support.

INSTALLATION INSTRUCTIONS

With the chimney extending through the hole in the roof, ceiling or floor and the radiation shield in place, proceed as follows:

Step 1. Assemble the support collar to fit your chimney diameter, as described on the instruction sheet supplied with the support.

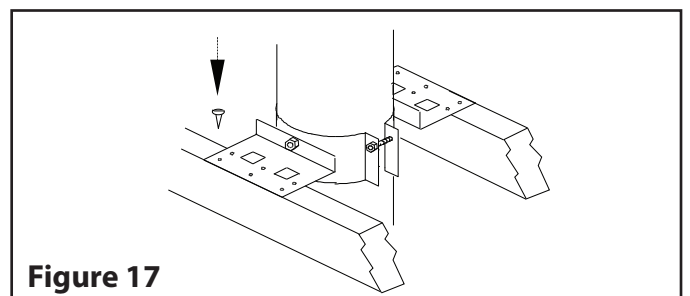
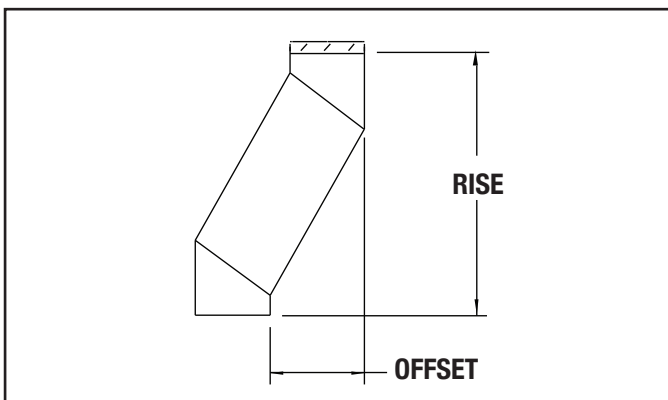
Step 2. Slip the support down over the chimney length until its brackets rest on the roof or floor. Tighten the collar around the chimney.

Step 3. Center the chimney and nail or screw the support to the roof or floor using (8) - 2-1/2" nails or (8) N°. 8 - 1-1/4" wood screws.

Step 4. Install the remaining chimney lengths, until the required chimney height is reached.

WARNING

A support must always be installed right above each offset (two elbows) to support the chimney above the offset.

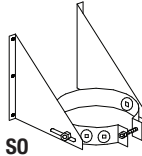


5

OFFSET INSTALLATION (CONT'D)

OFFSET/WALL SUPPORT (XS0) (XS0-1)

When a chimney offset is used to traverse a wall, this support may be used to support the chimney. The height of chimney supported is shown in supported height page 3.



INSTALLATION INSTRUCTIONS

Install the support as follows (Figure 18):

Step 1. Assemble the support collar to fit your chimney diameter.

Step 2. Slip the support down over the chimney to a proper location.

Step 3. Tighten the collar around the chimney.

Step 4. Attach the support brackets to the wall using (8) 3" nails or (8) N°10 x 1-1/4" wood screws.

NOTE: Be sure that the support attaches to a solid wall and not merely to dry wall or aluminium siding.

Step 5. Continue installing the chimney according to these installation instructions.

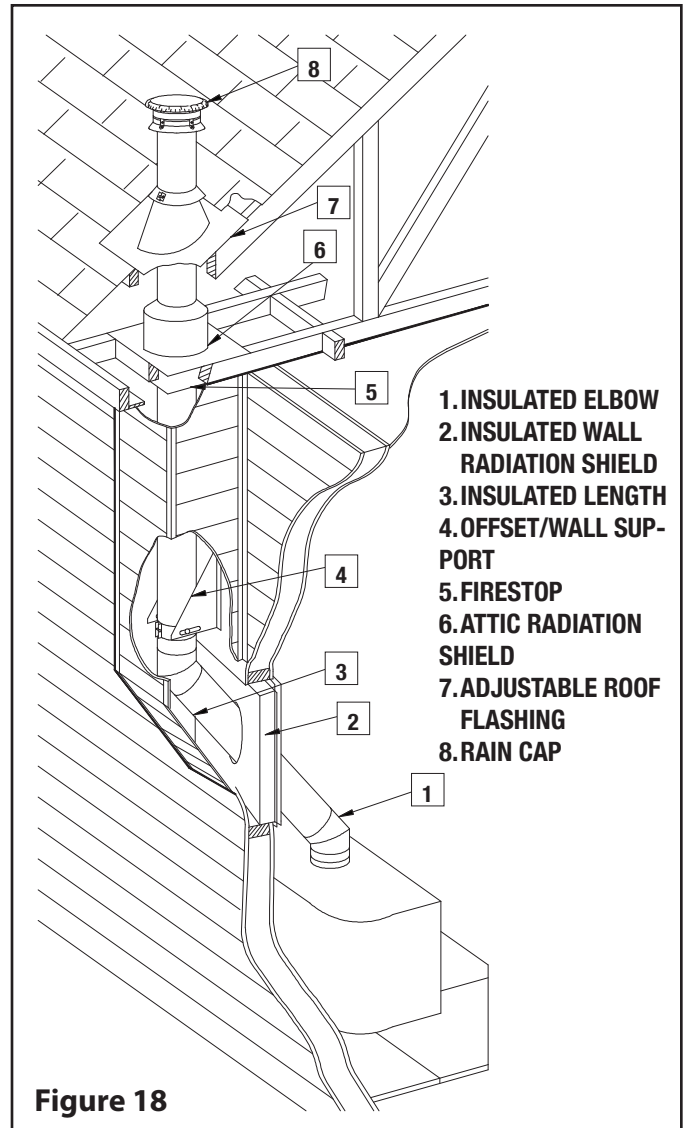


Figure 18

6

EXTERIOR INSTALLATION

TEE & WALL SUPPORT

Four wall supports are available, Three adjustable (XSME), (XSMA), (XSO-1) and one non-adjustable (XSM).

INSTALLATION NOTES

If possible, install an interior chimney as it will provide better performance than an exterior chimney. In areas with continuous temperatures below -18°C (0°F), the use of an exterior chimney may result in operating problems such as poor draft, excessive condensation of combustion products and rapid accumulation of creosote when connected to a wood burning appliance. If you do install an exterior chimney, we recommend that you enclose it using an insulated enclosure.

1. The chimney may be enclosed or unenclosed. Maintain 2" clearance to combustible materials. Do not fill the 2" space around the chimney with insulation or any other material.
2. A Wall Band (XBM) must be used to secure the chimney to the wall. Maximum distance between wall bands is 8 feet.
3. The adjustable supports (XSME) and (XSO-1) may only be installed in conjunction with an insulated tee cap (XTCI).
4. The adjustable supports (XSME) and (XSO-1) can be installed either below or above the insulated tee.
5. The minimum length of chimney extending past the inside wall is 5".
6. The maximum length of chimney extending past the inside wall is 24".
7. The distance between the stove pipe and a parallel combustible wall or ceiling must not be less than 18". The distance between the horizontal stove pipe and the unshielded vertical wall through which

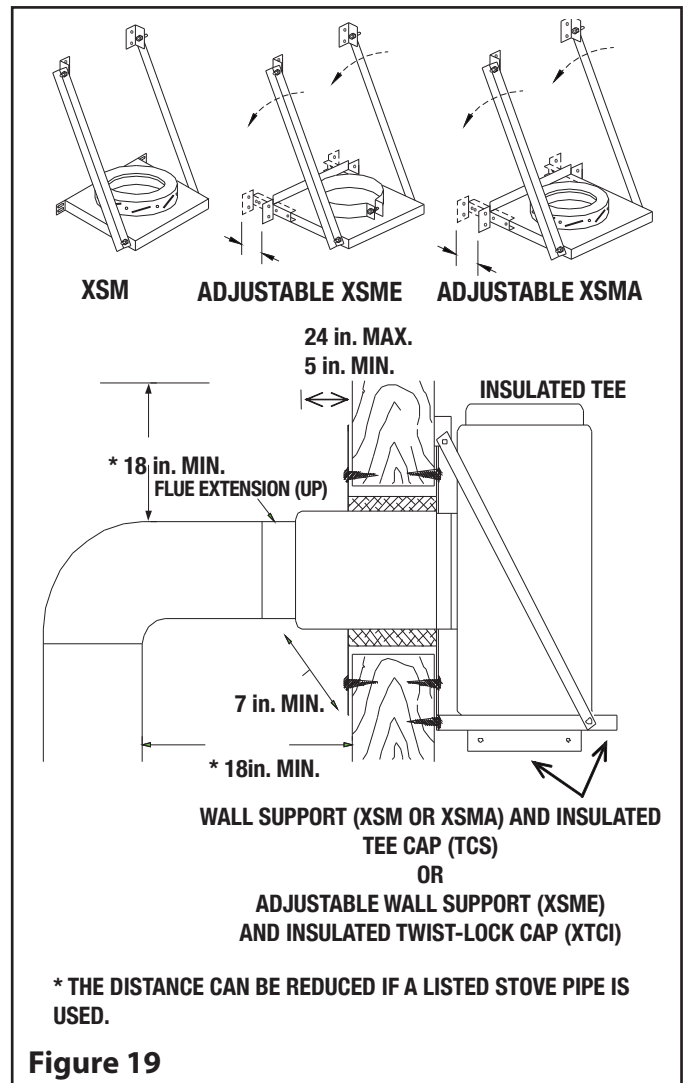


Figure 19

it passes must not be less than 7".

8. If an exterior installation is to be enclosed, (see Figure 19) allow for access to base of tee to facilitate required cleaning.
9. The minimum distance between the bottom of the support and any horizontal combustible (including the ground) is 6". This distance can be reduced to 2" by using an insulated tee cap (XTCI) in conjunction with a (XSME) or (XSO-1) adjustable wall support.

INSTALLATION INSTRUCTIONS

Step 1. Determine where the chimney will pass through the wall.

- For concrete walls cut a hole slightly larger than the chimney.
- For combustible walls cut and frame a hole 4" larger than the chimney, midway between the wall studs (see Table 8 below for sizing).

Normally wall studs are placed at 16" centers. With the hole midway between them, the support will fasten to these studs and thus ensure a strong attachment to the wall.

CHIMNEY SIZE	HOLE SIZE	
	COMBUSTIBLE	CONCRETE
6"	14" x 14"	10-1/4"
7"	15" x 15"	11-1/4"
8"	16" x 16"	12-1/4"

Table 8

Step 2. Wood walls: Place the exterior half of the Wall Thimble (XRSM) in the opening from the outside. Fasten in place using (4) 2" nails or 1" screws. This Wall Thimble is adjustable from 7" to 12". Make sure the insulation pad is cut to the desired length according to the wall thickness. Wrap the insulation pad around the tube of the interior half of the Wall Thimble. Place the metal sheet around the insulation pad and join the locking tabs together. Place the interior half of the Wall Thimble inside the exterior half of the Wall Thimble.

Slide the large wall shield over the small wall shield. Using a level make sure that the hole for the chimney to pass through is horizontal. Screw the inner thimble in place with the provided screws. (*see Figure 22*).

NOTE: The cavity surrounding the radiation shield must be filled with insulation (see Figure 21).

Step 3. Attach the clean-out cap to the support's (XSM or XSMA only) flue extension using the three (3) metal screws provided. Make sure that the screws have pierced through the flue extension. The cap is in the box with the insulated tee. **See Figure 19.** If an insulated tee cap is used, twist lock the tee cap to the tee (adjustable support XSME and XSO-1 only).

Step 4. The minimum length of insulated chimney required to pass through the wall will be thickness plus 7". The insulated chimney must extend at least 5" into the room beyond the finished wall. Insert this chimney length in the side branch of the insulated tee. Turn it clockwise to lock it in place. Seal this joint by wrapping it with the aluminium tape supplied with the tee. Mount the insulated tee on the support so that the chimney length which will go through the wall is perpendicular to the side of the support that will fasten to the wall.

NOTE: The supports (XSO-1) can be installed above the tee. **See Figure 20.**

Step 5. This step will require 2 people: (See Figure 23).

Insert the chimney length of this tee-support assembly into the hole in the wall. Using a level, ensure the tee is vertical, then attach the support to the wall using (8) N°. 10 x 1 - 1/4" wood screws or 4" spiral nails.

NOTE: To provide sufficient strength, the nails must be driven into the wall studs. For concrete walls, the support should be attached using (8) 1/4" x 2" lag bolts.

Step 6. Attach the flue extension to the horizontal chimney length using the three (3) metal screws provided (*see Figure 24*).

Step 7. If the chimney passes through the a soffit, cut an opening large enough to provide 2" clearance between the chimney and the soffit. For flat soffits and for sloping soffits, see Table 2 on page 3. Install a Firestop on the underside.

6

EXTERIOR INSTALLATION (CONT'D)

Step 8. Stack a chimney length on top of the tee.
Turn it clockwise to lock it in place.

Step 9. Stack the next chimney length on the first length. Continue until the required chimney height is reached.

NOTE: At 8' intervals, attach the chimney to the wall using a Wall Band (XBM).

TO CONTINUE INSTALLATION

SEE ROOF FLASHING INSTALLATION, on page 6.

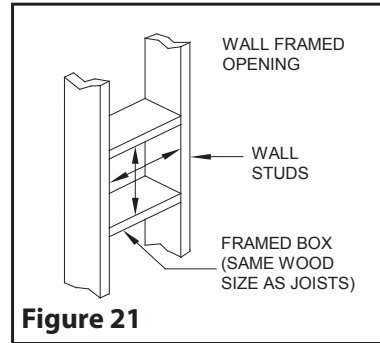


Figure 21

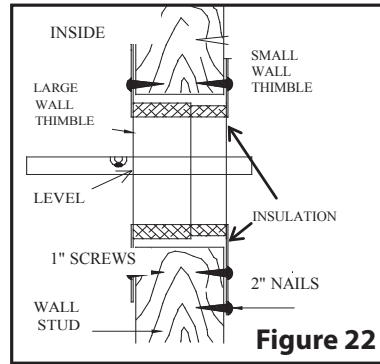


Figure 22

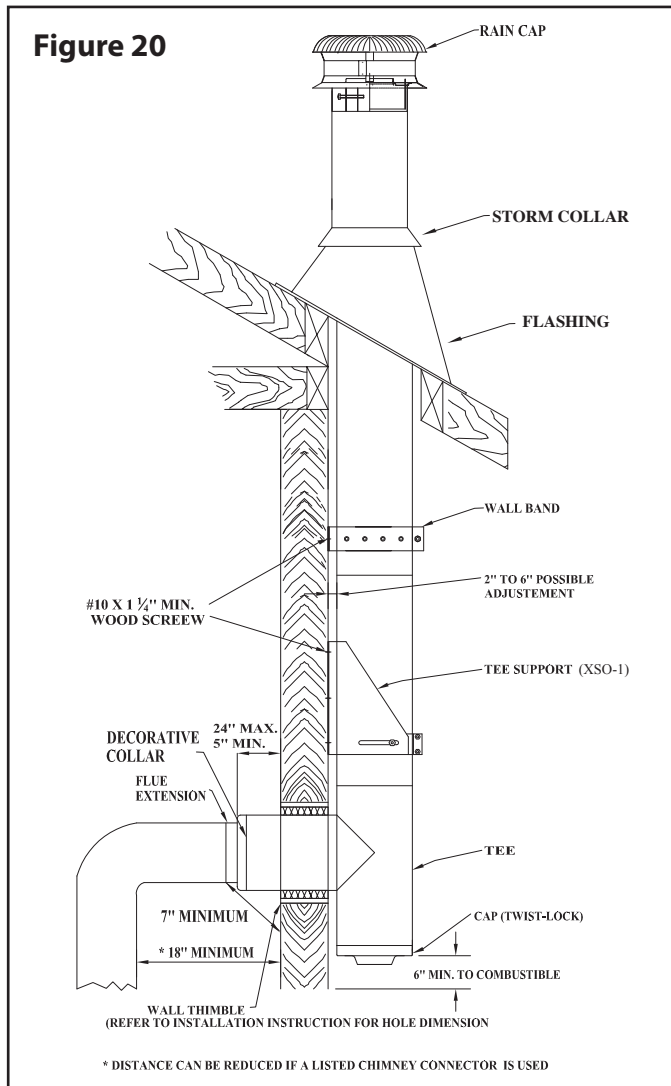
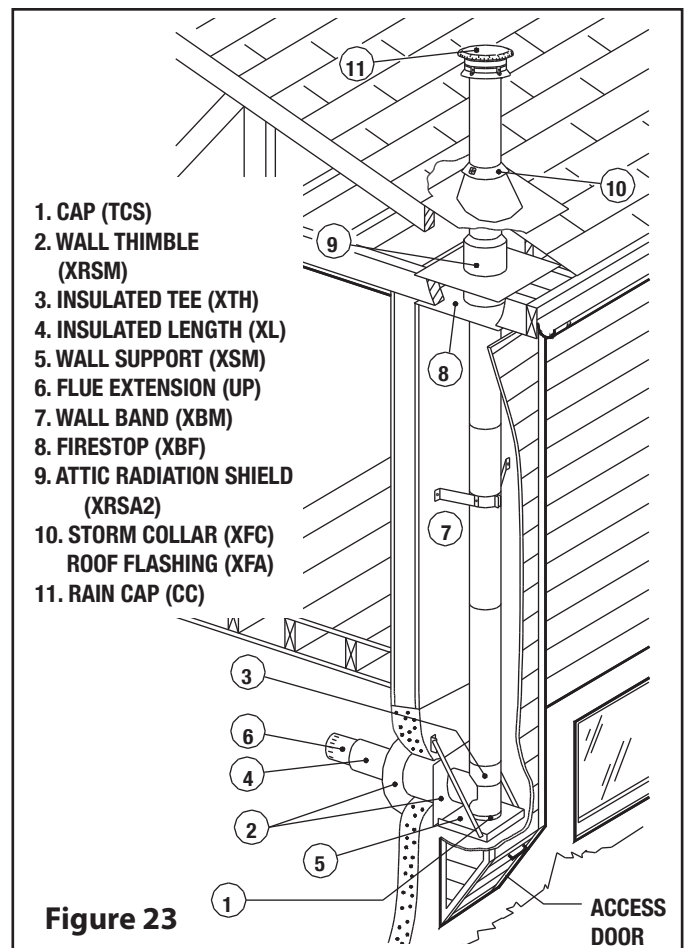


Figure 20



1. CAP (TCS)
2. WALL THIMBLE (XRSM)
3. INSULATED TEE (XTH)
4. INSULATED LENGTH (XL)
5. WALL SUPPORT (XSM)
6. FLUE EXTENSION (UP)
7. WALL BAND (XBM)
8. FIRESTOP (XBF)
9. ATTIC RADIATION SHIELD (XRSA2)
10. STORM COLLAR (XFC)
ROOF FLASHING (XFA)
11. RAIN CAP (CC)

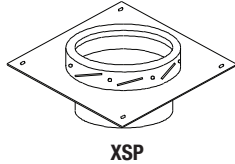
Figure 23

7

SPECIALIZED COMPONENTS

ANCHOR PLATE (XSP)

This support is used on a Factory Built or masonry fireplace or on top of a furnace to provide a positive connection to the chimney. It is not to be used in contact with any combustible material, such as on a wood floor.



INSTALLATION INSTRUCTIONS

Once the appliance is installed, bolt the Anchor Plate (XSP) to it. Install the chimney according to the installation instructions for the Finish Support (XSFC).

FACTORY-BUILT FIREPLACES

For chimneys installed on factory-built fireplaces, follow the installation instructions accompanying the fireplace.

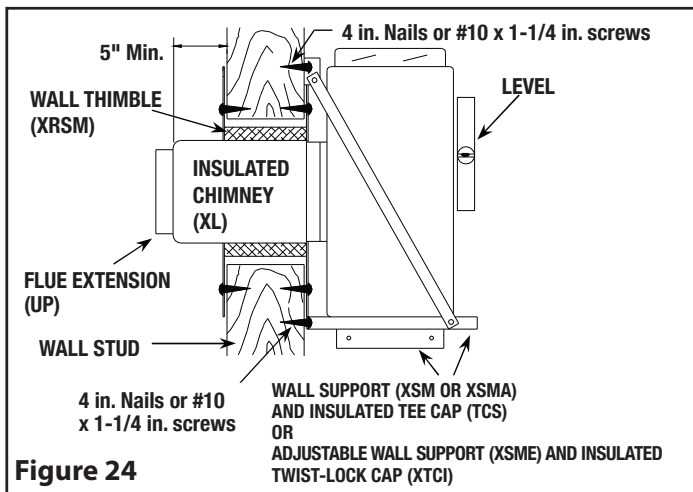


Figure 24

FIREPLACE INSULATED RADIATION SHIELDS

These are used only with wood-burning fireplaces which have been certified for use with S-2100.

ANGLED INSULATED RADIATION SHIELD (XRSMI30)

It has been designed for use when a chimney passes through a wall at an angle. *See Table 9*

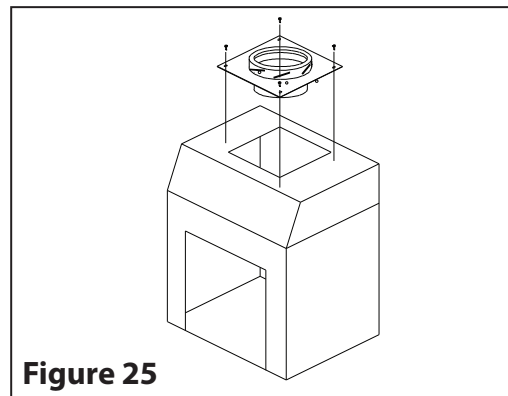


Figure 25

Ø INT.	FRAMING SIZE	
	XRSMI30	
	7"	8"
A	41-1/4	43-5/16
B	18-3/8	19-3/8
C	36-3/4	38-13/16
D	13-7/8	14-7/8
E	3	3

Table 9

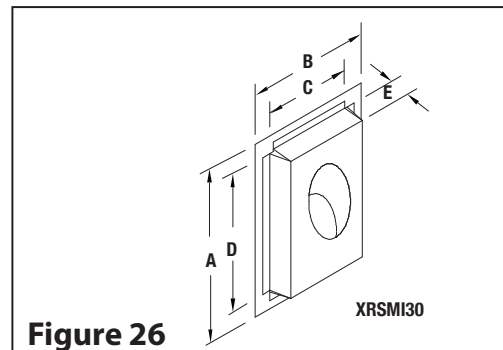


Figure 26

Note: All dimensions are in inches.

NOTE: DIAGRAMS & ILLUSTRATIONS ARE NOT TO SCALE.

**SECURITY CHIMNEYS INTERNATIONAL, LTD.
RESIDENTIAL CHIMNEY & VENTING PRODUCT
LIMITED LIFETIME WARRANTY**

THE WARRANTY

This Security Chimneys International, Ltd. (SCIL) Limited Lifetime Warranty warrants your residential vent and/or chimney system to be free from defects in material and workmanship at the time of manufacture. This Limited Lifetime Warranty includes all components and fittings, except termination caps and Secure Black™ SW single wall black stove pipe. After installation, if covered components manufactured by SCIL are found to be defective in materials or workmanship during the Limited Lifetime Warranty period and while the Product remains at the site of the original installation, SCIL will, at its option, replace the covered components. SCIL reserves the right to replace covered components with an equivalent product and the replacement must be carried out in accordance with SCIL's recommendations. If replacement is not commercially practical, SCIL will, at its option, refund the purchase price or wholesale price of the SCIL product, whichever is applicable. THERE ARE EXCLUSIONS AND LIMITATIONS to this Limited Lifetime Warranty as described herein.

COVERAGE COMMENCEMENT DATE

Warranty coverage begins on the date of installation. In the case of new home construction, warranty coverage begins on the date of first occupancy of the dwelling or six months after the sale of the Product by an independent SCIL dealer/distributor, whichever occurs earlier. The warranty shall commence no later than 24 months following the date of product shipment from SCIL, regardless of the installation or occupancy date.

EXCLUSIONS AND LIMITATIONS

This Limited Lifetime Warranty applies only if the Product is installed in the United States or Canada and only if used for the application for which it was designed and intended. The Product must be maintained in accordance with the printed instructions accompanying the Product and in compliance with all applicable installation and building codes and good trade practices.

This warranty is transferable. The Product must be purchased through a listed supplier of SCIL and proof of purchase must be provided. SCIL will be responsible for the replacement of the residential vent and/or chimney system considered to be defective for the following periods:

Termination Caps & Secure Black SW Stove Pipe – Replacement at no charge for 5 years from the date of installation, excluding labor

Components and fittings (excludes termination caps and Secure Black SW) –

Year 1-15 – Replacement of all components and fittings (a labor allowance may apply to a maximum of 300 \$ * certain conditions apply).

Year 16 – Replacement at 50% off of the prevailing list price in effect at the time of replacement (No labor allowance applies).

*Labor Allowance Conditions: Any Warranty replacement work must be performed by a Professional Installer.

SCIL will not be responsible for: (a) damages caused by normal wear and tear, corrosion from salt air, accident, riot, fire, flood or acts of God; (b) damages caused by abuse, negligence, misuse, or unauthorized alteration or repair of the Product affecting its stability or performance. (The Product must be subject to normal use with approved fuels listed in the Operation Manual provided with the product. Where applicable, fuel products with abnormal burning characteristics, including but not limited to fuel such as driftwood, plywood and wood products using a binder may burn at excessive temperatures and may cause damage to the Product or may cause it to function improperly; (c) damages caused by failing to provide proper maintenance and service in accordance with the instructions provided with the Product; (d) damages, repairs or inefficiency resulting from faulty installation or application of the Product.

This Limited Lifetime Warranty covers only parts as provided herein. SCIL's entire liability is limited to the purchase price of this product. In no case shall SCIL be responsible for materials, components or construction which are not manufactured or supplied by SCIL or for the labor necessary to install, repair or remove such materials, components or construction. Additional utility bills incurred due to any malfunction or defect in equipment are not covered by this Limited Lifetime Warranty. All replacement or repair components will be shipped F.O.B. from the nearest stocking SCIL factory.

LIMITATION ON LIABILITY

It is expressly agreed and understood that SCIL's sole obligation and the purchaser's exclusive remedy under this warranty, under any other warranty, expressed or implied, or in contract, tort or otherwise, shall be limited to replacement, repair, or refund, as specified herein.

In no event shall SCIL be liable for any incidental or consequential damages caused by defects in the Product, whether such damage occurs or is discovered before or after replacement or repair, and whether such damage is caused by SCIL's negligence. SCIL has not made and does not make any representation or warranty of fitness for a particular use or purpose, and there is no implied condition of fitness for a particular use or purpose.

SCIL makes no expressed warranties except as stated in this Limited Lifetime Warranty. The duration of any implied warranty is limited to the duration of this expressed warranty.

No one is authorized to change this Limited Lifetime Warranty or to create for SCIL any other obligation or liability in connection with the Product. Some states and provinces do not allow the exclusion or limitation of incidental or consequential damages, so the above limitations or exclusions may not apply to you. The provisions of this Limited Lifetime Warranty are in addition to and not a modification of or subtraction from any statutory warranties and other rights and remedies provided by law.

INVESTIGATION OF CLAIMS AGAINST WARRANTY

SCIL reserves the right to investigate any and all claims against this Limited Lifetime Warranty and to decide, in its sole discretion, upon the method of settlement.

To receive the benefits and advantages described in this Limited Lifetime Warranty, the appliance must be installed and repaired by a licensed contractor approved by SCIL. Contact SCIL at the address provided herein to obtain a listing of approved dealers/distributors. SCIL shall in no event be responsible for any warranty work done by a contractor that is not approved without first obtaining SCIL's prior written consent.

HOW TO REGISTER A CLAIM AGAINST WARRANTY

In order for any claim under this warranty to be valid, you must contact the SCIL dealer/distributor from which you purchased the product. If you cannot locate the dealer/distributor, then you must notify SCIL in writing. SCIL must be notified of the claimed defect in writing within 90 days of the date of failure. Notices should be directed to the SCIL Warranty Department at 2125 Monterey, Laval, QC H7L 3T6.

WARRANTY

This product has a limited lifetime warranty. Please read the warranty to be familiar with its coverage.

Retain this manual. File it with your other documents for future reference.

PRODUCT REFERENCE INFORMATION

Please contact Security Chimneys International for the phone number of your nearest Security Chimneys International dealer who will answer your questions or address your concerns.

Normally, all parts should be ordered through your Security Chimneys International distributor or dealer. Parts will be shipped at prevailing prices at time of order.

When ordering repair parts, always give the following information:

1. The model number of the vent system.
2. The part number.
3. The description of the part.
4. The quantity required.
5. The installation date of the chimney system.

If you encounter any problems or have any questions concerning the installation or application of this system, please contact your dealer.

SECURITY CHIMNEYS INTERNATIONAL LIMITED

2125 Monterey, Laval, Quebec, Canada, H7L 3T6
800-667-3387

Visit us at www.securitychimneys.com



2125 Monterey, Laval, Quebec, Canada, H7L 3T6
800-667-3387; www.securitychimneys.com

Security Chimneys International Limited reserves the right to make changes at any time, without notice,
in design, materials, specifications, prices.

Consult your local distributor for chimney system code information.

Printed in Canada © 2010, 2017 SECURITY CHIMNEYS INTERNATIONAL
PIS2100 LS303 REV. 15 01/2018