

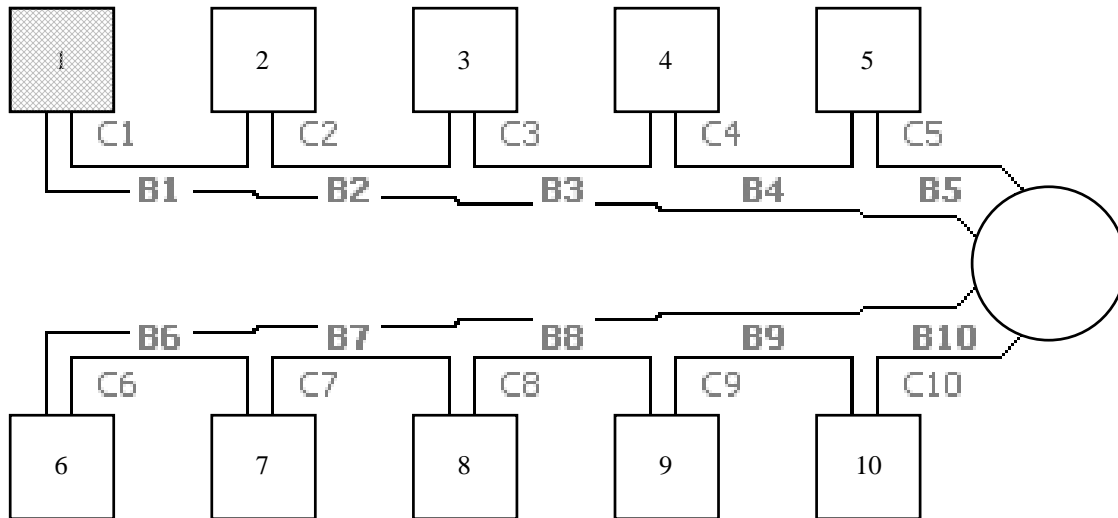
SECURITY CHIMNEYS INTERNATIONAL

Customer: ABC Company

Contact: Your Name

Project: "Smoke Rises"

Reference #: file assigned



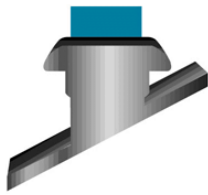
| | | |
|------------------------|-----------|-------------|
| Chimney Height: | 7.3 m | 23.95 ft |
| Installation Altitude: | 0 - 600 m | 0 - 2000 ft |
| Nature of Chimney: | CIX, ASHT | |
| Termination: | Stack | |

Computation Results:

| | | |
|---|-----------|------------|
| Calculated Chimney Diameter: | 388.3 mm | 15.29 in |
| Chimney Nominal Diameter: | 406.4 mm | 16 in |
| Average Gas Speed in Chimney: | 3.28 m/s | 10.76 ft/s |
| Average Temperature of Flue Gas in Chimney: | 251.63 °C | 484.93 °F |

Installation Nominal Diameters (in)

| Breeching | Connector | Breeching | Connector |
|-----------------------|-----------------------|-------------------|-------------------|
| B1 = 406.4 mm / 16 in | C1 = 406.4 mm / 16 in | B6 = 0 mm / 0 in | C6 = 0 mm / 0 in |
| B2 = 406.4 mm / 16 in | C2 = 0 mm / 0 in | B7 = 0 mm / 0 in | C7 = 0 mm / 0 in |
| B3 = 406.4 mm / 16 in | C3 = 0 mm / 0 in | B8 = 0 mm / 0 in | C8 = 0 mm / 0 in |
| B4 = 406.4 mm / 16 in | C4 = 0 mm / 0 in | B9 = 0 mm / 0 in | C9 = 0 mm / 0 in |
| B5 = 406.4 mm / 16 in | C5 = 0 mm / 0 in | B10 = 0 mm / 0 in | C10 = 0 mm / 0 in |



SECURITY CHIMNEYS
INTERNATIONAL

Calculated Results for

Appliance: 1
Type of Appliance: Oil #2

Characteristics of Combustion

Percentage of CO₂: 9 %
Temperature (Smoke at Nozzle): 278 °C 532.4 °F
Exhaust Pressure: 0 Pa 0 in H₂O
Appliance Input: 732.68 kW 2500000 Btu/h

Run Profile

Horizontal Length of Breeching: 4.88 m 16 ft
Vertical Height of Breeching: 2.59 m 8.5 ft
Nature of Breeching: CI or ASHT

Run Configuration

Connection to Appliance: Draft Damper
Number of Elbow(s) 15°: 0
Number of Elbow(s) 30°: 0
Number of Elbow(s) 45°: 2
Number of Elbow(s) 90°: 1
Number of Tee(s) 90°: 1
Number of Tee(s) 135°: 2

Computation Results

Connector Calculated Diameter: 388.31 mm 15.29 in
Connector Nominal Diameter: 406.4 mm 16 in
Average Temperature of Flue Gas: 251.63 °C 484.93 °F
Average Flue Gas Velocity: 3.59 m/s 11.79 ft/s
Max Power for the Appliance: 802.58 kW 2738499.25 Btu/h
Draft Inducer Required?: No